

Power line chokes MCTQ19S

Features

- Rated voltage 250 V AC
- Rated current 0.45 ... 1.6 A (+40 °C)
- Rated inductance 10 ... 100 mH
- High inductance with low resistance
- Very small stray inductance for symmetrical interference suppression
- High pulse-handling capability
- Very good inductance/rated current ratio
- Low height (13.5 mm)
- Suitable for wave soldering

Construction

- Current-compensated frame core double choke
- Closed magnetic circuit with frame construction made of ferrite
- PHENOLIC coil former (UL94 V-0)
- 4-section winding with direct winding on the core
- Sector winding
- Clearance and creepage distances >3 mm

Applications

- Suppression of common-mode and differential-mode interferences
- Electronic ballasts for lamps
- High power switch-mode power supplies for consumer electronics

Terminals

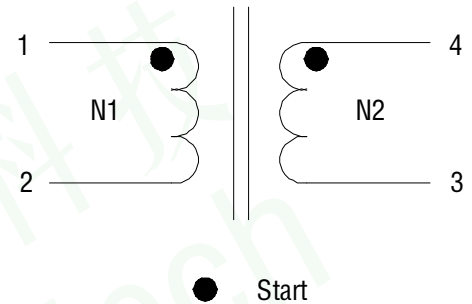
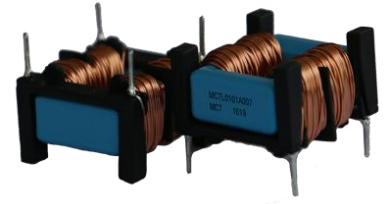
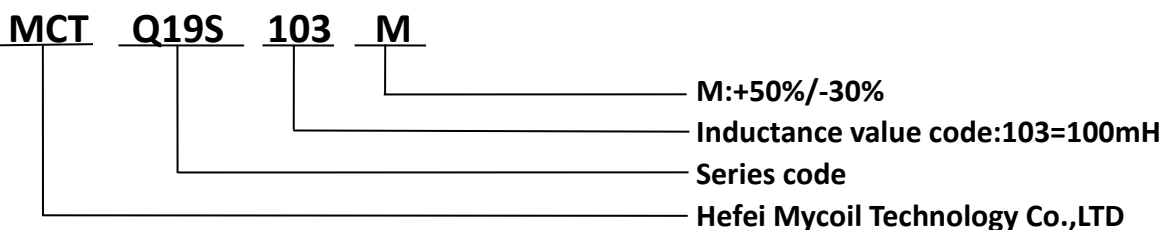
- Base material CP wire
- Hot dipped
- Pins 0.7×0.7 mm
- Lead spacing 10×19 mm

Marking

Manufacturer: MCT

Date of manufacture:YYWW

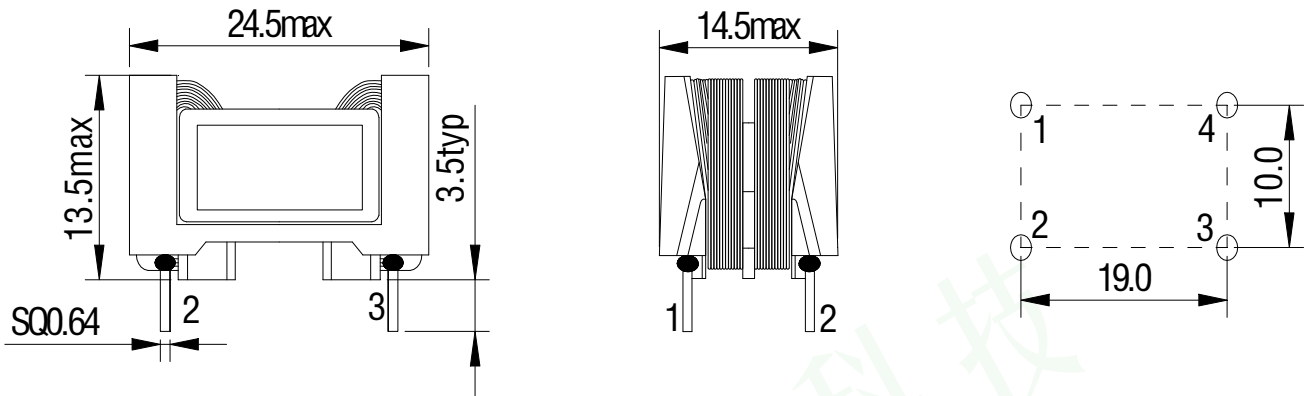
Ordering code



Delivery mode

Polystyrene tray, anti-static, in cardboard box

Dimensional drawing and layout recommendation



Technical data and measuring conditions

Rated voltage V_R :250 V AC (50/60 Hz)

Hi-pot Test voltage V_{test} :2000 V AC, 2 s (line/line)

Rated temperature T_R :+40 C

Rated current I_R :Referred to 50 Hz and rated temperature,see the data table

Rated inductance L_R :Measured with LCZ1062 at 10 kHz/0.1 mA, +20°C.Inductance is specified per winding.

Inductance tolerance: $\begin{matrix} +50\% \\ -30\% \end{matrix}$ @+20°C

Solderability (lead-free):Sn96.5Ag3.0Cu0.5: +(245±5)°C, (3±0.3) s

Wetting of soldering area≥95%

Resistance to soldering heat(wave soldering): +(260±5) °C, (10±1) s

Characteristics table

MCT PN	I_R :A	L_R :mH	L_{stray} typ: uH	DCR:mΩ
MCTQ19S102M	0.45	100.0	1937	2931
MCTQ19S682M	0.60	68.0	1346	1974
MCTQ19S472M	0.70	47.0	924	1261
MCTQ19S392M	0.80	39.0	761	1100
MCTQ19S272M	0.90	27.0	520	771
MCTQ19S152M	1.30	15.0	291	432
MCTQ19S101M	1.60	10.0	204	291

The core M10 with $AL=4500\pm30\%$ and M12 with $AL=5400\pm30\%$ can be selected.

We can design it for you.Welcome to contact us:sales@mycoiltech.com.