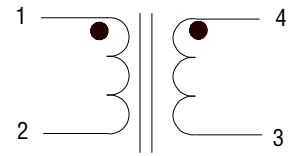


MCT S20 with shielding
Common Mode Choke
Standard Winding

CONTENTS

MCT20S with shielding Series Common Mode Choke Standard Winding.

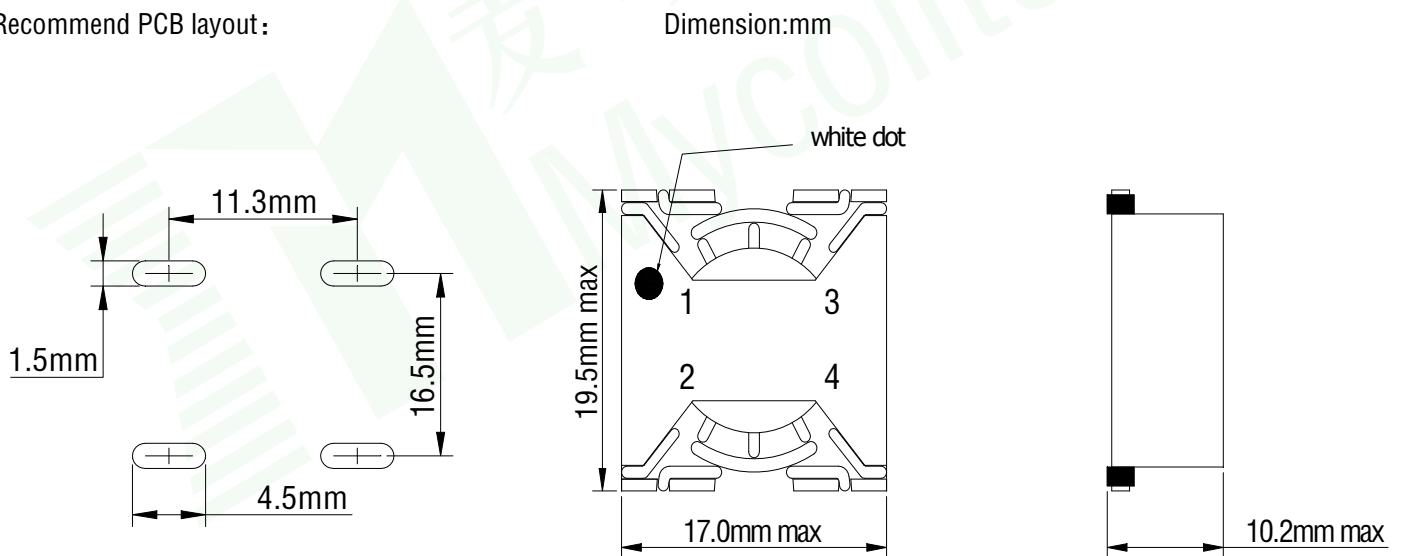
1. Compact and light weight
2. Testing frequency:1KHz/0.25V
- 3.Operating temperature:-40°C~+85°C
- 4.Rated current rang 1A~5A
- 5.SMD toroidal type
- 6.Inductance range 1000uH~10000uH



Typical electrical parameter

MCT Part No.	Inductance(mH) $\pm 35\%$	DC Resistance(Ω)max	Rated Current(A)
MCTS20-530LF	0.53	0.015	7.5
MCTS20-590LF	0.59	0.012	7.0

Recommend PCB layout:



Dimension in mm

Tolerance: ± 0.3

Welcome customized.

Please contact us for more information by email sales@mycoiltech.com.