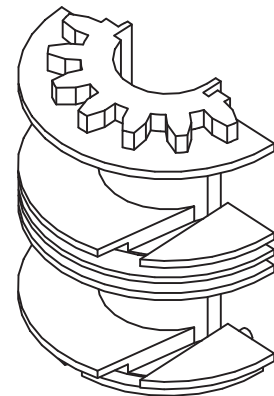
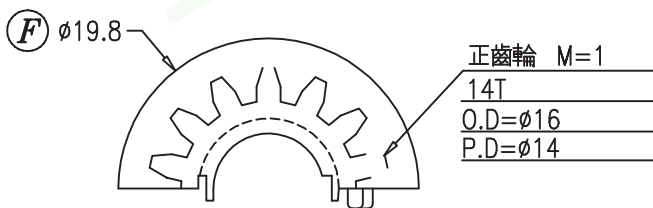
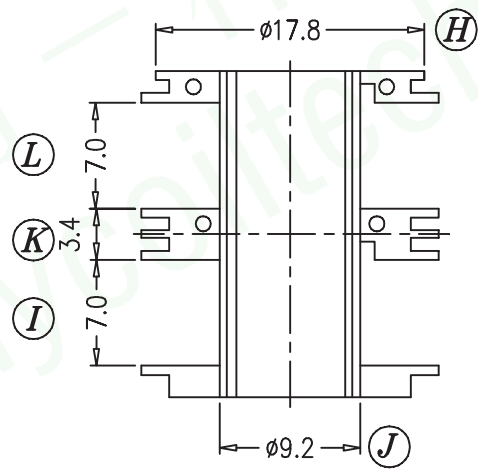
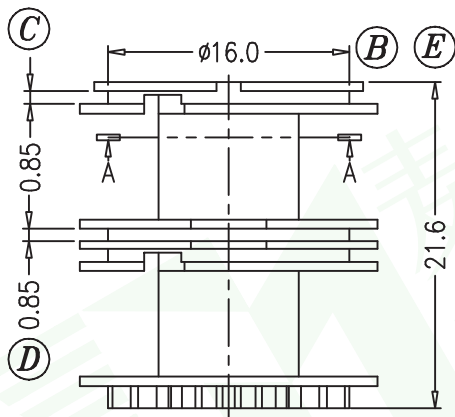


SEC. A-A



| | | | | | | | |
|-----------|-------------|-----------|--|---|---------------------------------|---------------------|----------------------|
| MODEL | ET-28(双槽胶芯) | | UNIT: | mm | | | |
| MATERIAL | PHENOLIC | | SCALE: | 1:1 | | | |
| DRAWN BY | Una Wu | 2014.3.18 | UL REC: | 94V-0 | Hefei mycoil technology Co.,LTD | | |
| CHECK BY | Jason Hu | 2014.3.18 | TOLERANCE | | | WEBSITE | www.mycoiltech.com |
| | | | 0 < L ≤ 6: ±0.1 6 < L ≤ 20: ±0.2 20 < L ≤ 50: ±0.3 50 < L: ±0.4 | PIN PITCH: ±0.2 THICKNESS: ±0.15 ANGLE: ±1° PIN DIA: ±0.05 | TEL | (+86) 551 6619 6829 | |
| ISSUED BY | James Hu | 2014.5.16 | | | | EMAIL | sales@mycoiltech.com |