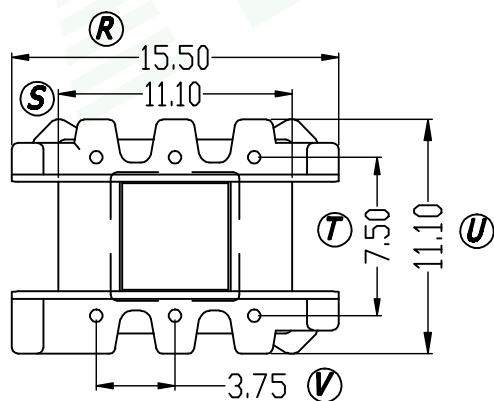
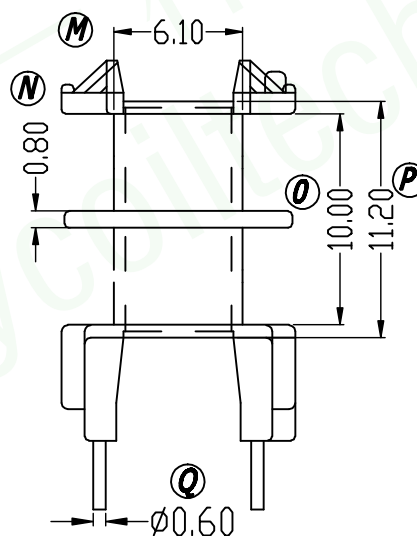
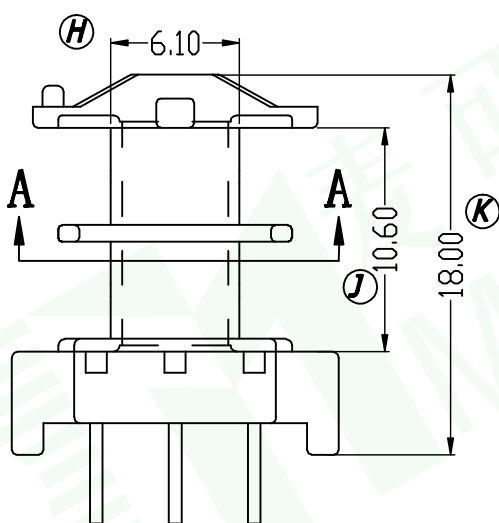


A-A



MODEL	EF-16(V/3+3P2F)		UNIT:	mm			
MATERIAL	PA66		SCALE:	1:1			
DRAWN BY	Una Wu	2014.3.18	UL REC:	94V-0	Hefei mycoil technology Co.,LTD		
CHECK BY	Jason Hu	2014.3.18	TOLERANCE			WEBSITE	www.mycoiltech.com
			0 < L ≤ 6: ±0.1	PIN PITCH: ±0.2	TEL	(+86) 551 6619 6829	
ISSED BY	James Hu	2014.5.16	6 < L ≤ 20: ±0.2	THICKNESS: ±0.15	EMAIL	sales@mycoiltech.com	
			20 < L ≤ 50: ±0.3	ANGLE: ±1°			
			50 < L: ±0.4	PIN DIA: ±0.05			