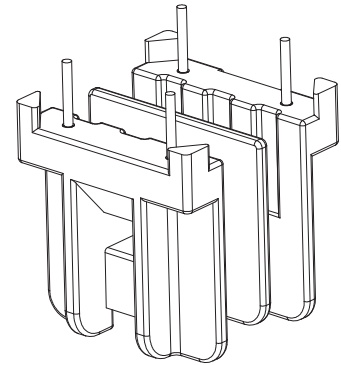
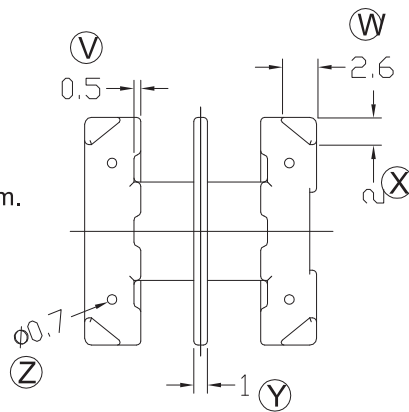


備註:

1. 未標示的圓角為R0.3mm.
2. 電鍍規格:Sn100% 5~10um.



MODEL	UU-10.5(H/2+2P2F)		UNIT:	mm			
MATERIAL	PHENOLIC		SCALE:	1:1			
DRAWN BY	Una Wu	2014.3.18	UL REC:	94V-0	Hefei mycoil technology Co.,LTD		
CHECK BY	Jason Hu	2014.3.18	TOLERANCE			WEBSITE	www.mycoiltech.com
			0 < L ≤ 6: ±0.1	6 < L ≤ 20: ±0.2	20 < L ≤ 50: ±0.3	50 < L: ±0.4	TEL
ISSUED BY	James Hu	2014.5.16	PIN PITCH: ±0.2 THICKNESS: ±0.15 ANGLE: ±1° PIN DIA: ±0.05			EMAIL	sales@mycoiltech.com