

**Description**

- MCT8MF filters designs specially for the CE102 conduction launch request in the military equipment through electromagnetic compatibility military symbol GJB 151A/152A.
- Excellent interference suppression performance for CM and DM
- High quality components,high performance/cost
- Excellent performance at high and low frequency.
- Welcome for customized products.





**Typical Applications :**

- Each kind of military electronic installation.





**Specification :**

Type:	Three phase
Rated Voltage:	440VAC
Operating frequency:	50/60Hz
Rated Current:	10A~50A
Temperature range :	HPF 25/085/21
Test voltage(1min):	
Line to ground :	2250VAC
Line to Line :	1500VDC

**Data table:**
**Three phase three wire**

MCT P/N:	Rated Current: A	Rated Voltage: V	Leakage Current: mA max	Input/Output connections	Dimension
MCT8MF5-10-6	10	440	1.0		76
MCT8MF5-15-6	15	440	1.0		76
MCT8MF6-30-6	30	440	1.0		78
MCT8MF6-50-6	50	440	1.0		78

**Data table:**
**Three phase four wire**

MCT P/N:	Rated Current: A	Rated Voltage: V	Leakage Current: mA max	Input/Output connections	Dimension
MCT8MF7-10-6	10	440	1.0		75
MCT8MF7-15-6	15	440	1.0		77
MCT8MF8-30-6	30	440	1.0		77
MCT8MF8-50-6	50	440	1.0		77

Dimension: unit :mm

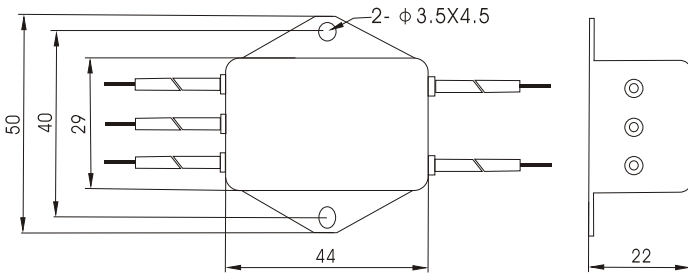


Fig 70

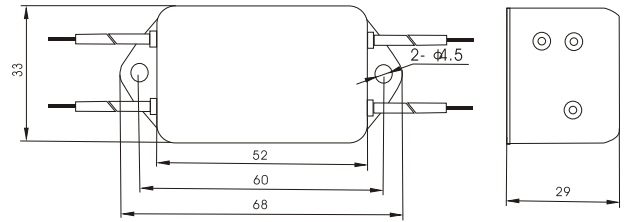


Fig 71

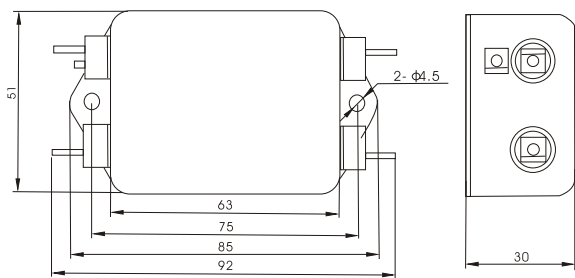


Fig 73

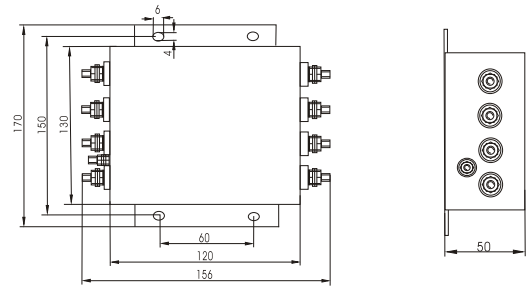


Fig 75

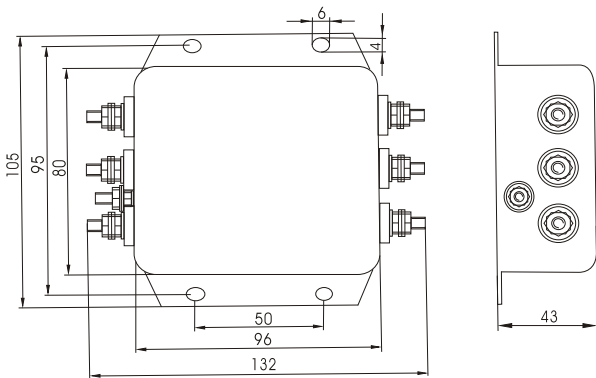


Fig 76

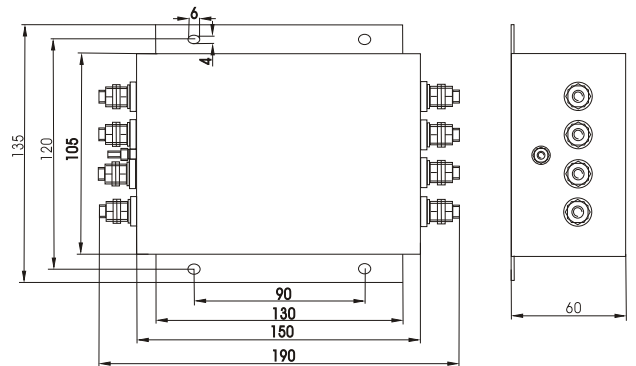


Fig 77

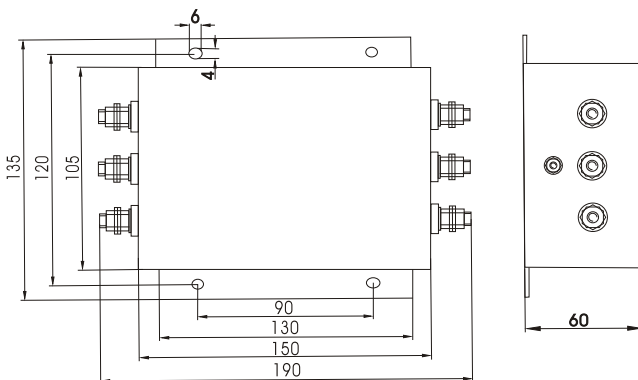


Fig 78