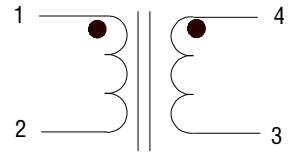


MCT B25V with base Series
Common Mode Choke
Standard Winding

CONTENTS

MCT B25V with base Series Common Mode Choke Standard Winding.

1. Compact and light weight
2. Testing frequency:1KHz/0.25V
- 3.Operating temperature:-40°C~+105°C



Typical electrical parameter

MCT Part No.	Inductance(mH) min	DC Resistance(Ω)max	Rated Current(A)
MCTB25V333A15	33.0	0.40	1.5
MCTB25V223A20	22.0	0.25	2.0
MCTB25V103A25	10.0	0.15	2.5
MCTB25V682A30	6.80	0.10	3.0
MCTB25V392A40	3.90	0.05	4.0
MCTB25V332A50	3.30	0.04	5.0
MCTB25V222A90	2.20	0.02	9.0
MCTB25V102AE0	1.00	0.01	15.0
MCTB25V681A14	0.68	0.006	20.0

Both fig A and fig B dimension can be choosed.

Welcome customized.

Dimension in mm

Tolerance:±0.03

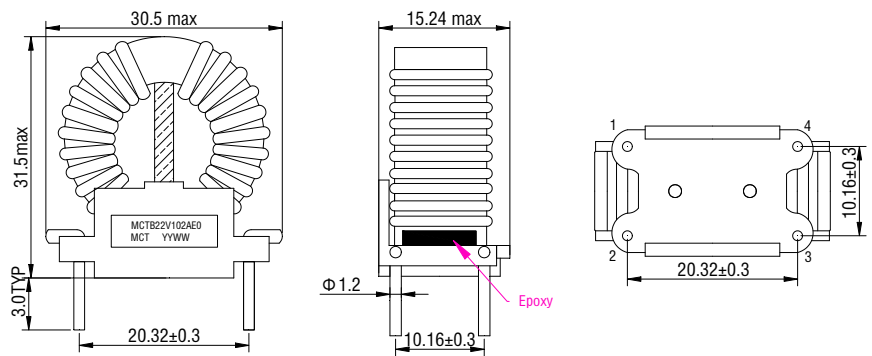


Fig A

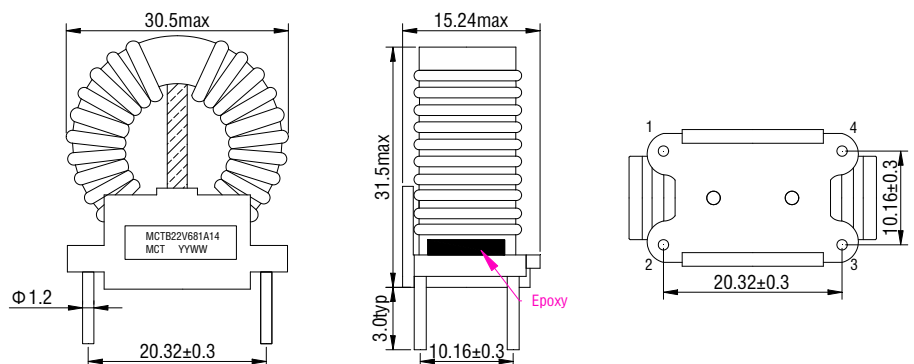


Fig B