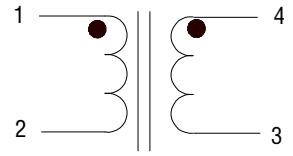


MCT B31V with base Series
Common Mode Choke
Standard Winding

CONTENTS

MCT B31V with base Series Common Mode Choke Standard Winding.

1. Compact and light weight
2. Testing frequency:1KHz/0.25V
- 3.Operating temperature:-40°C~+105°C



Typical electrical parameter

MCT Part No.	Inductance(mH) min	DC Resistance(Ω)max	Rated Current(A)
MCTB31V333A15	33.0	0.25	2.0
MCTB31V253A30	25.0	0.15	3.0
MCTB31V153A40	15.0	0.10	4.0
MCTB31V103A50	10.0	0.06	5.0
MCTB31V682A60	6.80	0.04	6.0
MCTB31V332A80	3.30	0.025	8.0
MCTB31V202AC0	2.00	0.010	12.0
MCTB31V102A14	1.00	0.006	20.0

Both fig A and fig B dimension can be choosed.

Welcome customized.

Dimension in mm

Tolerance: ± 0.03

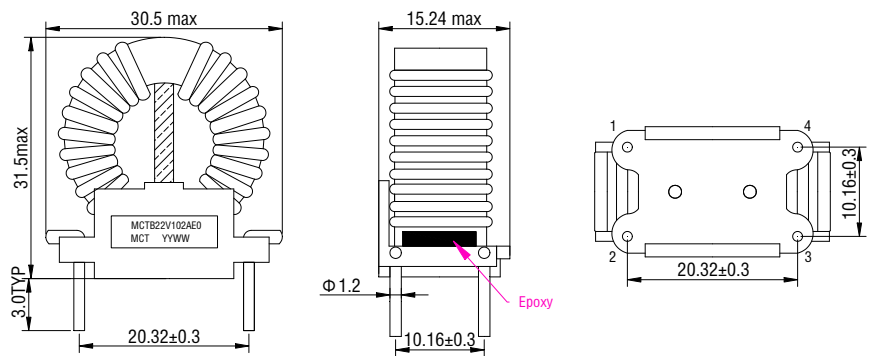


Fig A

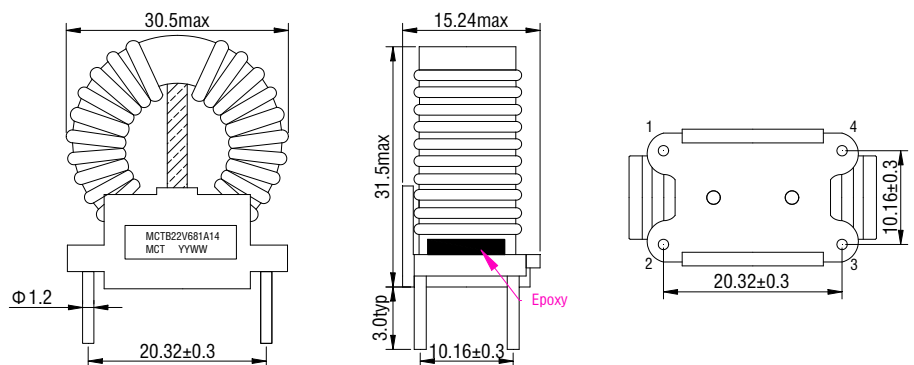


Fig B