

I. Main Performance

- ❖ the operating frequency: 20kHz-500kHz
- ❖ Working temperature: -40 °C to + 125 °C
- ❖ Storage temperature: -25 °C to + 85 °C
- ❖ storage humidity: 30 to 95%
- ❖ Power range:0.5W~15W

II. the main features of

- ❖ Small size, low cost, high reliability.

III. the application

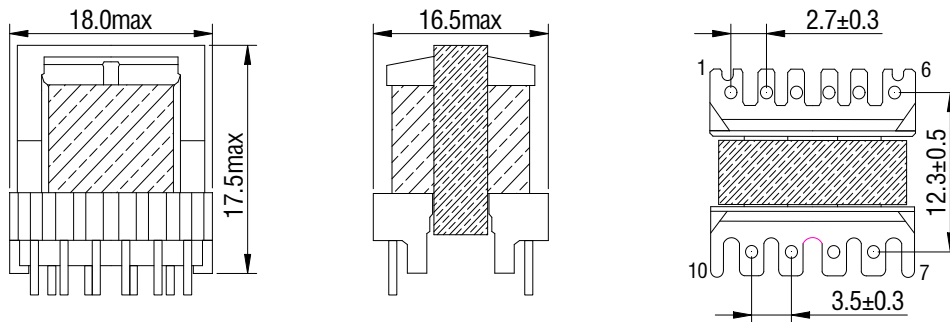
- ❖ Often used in auxiliary power transformer, DC-DC converter, drive transformers, digital cameras, hand-held switch power charger.

IV. Electrical Performance

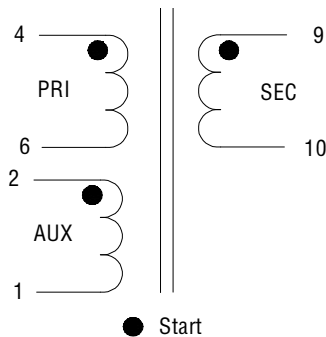
Control IC	Input Voltage	Power	Frequency
TDA16831	85~265V	6VA	100KHz
MC33369	85~265V	6VA	100KHz
TOP242P	85~265V	6VA	132KHz
VIPer20	85~265V	6VA	70KHz
VIPer20	85~265V	3VA	40KHz

E16 type single output 5V/12V fly back transformer						
MCT PN	Power	Pin	Turns	V	I	Lp
MCTE1601	6VA	4-6	138	60~120V _{or}	0.35A	3.0mH
		2-1	16	8-16VDC	0.1A	
		9-10	8	3-6VDC	1.2A	
MCTE1602	6VA	4-6	150	60~120V _{or}	0.38A	3.0mH
		2-1	22	8.5-17VDC	0.1A	
		9-10	24	9-18VDC	0.5A	

V. Dimension



VI. Electrical Diagram



Welcome customized transformer.

I. Main Performance

- ❖ the operating frequency: 20kHz-500kHz
- ❖ Working temperature: -40 °C to + 125 °C
- ❖ Storage temperature: -25 °C to + 85 °C
- ❖ storage humidity: 30 to 95%
- ❖ Power range:0.5W~15W

II. the main features of

- ❖ Small size, low cost, high reliability.

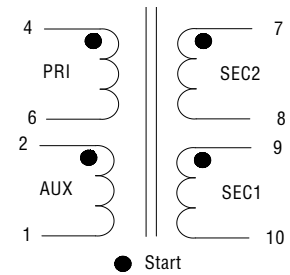
III. the application

- ❖ Often used in auxiliary power transformer, DC-DC converter, drive transformers, digital cameras, hand-held switch power charger.

IV. Electrical Performance

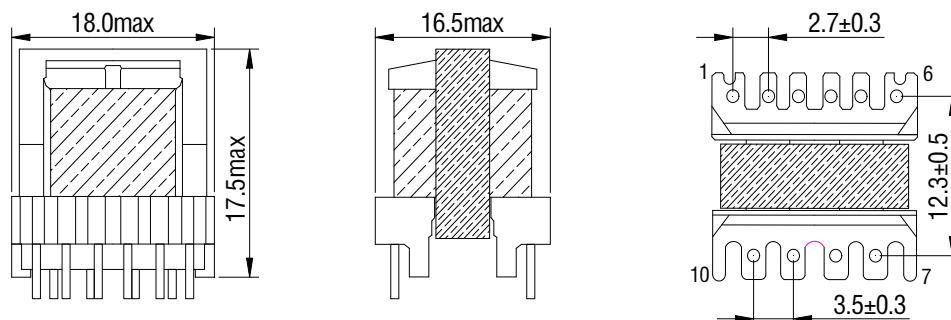
MCTE1603 E16 5W 5/12V				
Control IC Manufacturer	Control IC P/N	Input voltage	Power	Frequency
Power Integrations	TOP242P	85-265Vms	5W	132kHz
ST Microelectronics	Viper20	85-265Vms	4W	70kHz

MCTE1604 E16 6W 3.3/5V				
Control IC Manufacturer	Control IC P/N	Input voltage	Power	Frequency
Infineon	TDA16831	185-265Vms	6W	100kHz
Motorola	MC33369	85-265Vms	6W	100kHz
Power Integrations	TOP2429	85-265Vms	5W	132kHz
ST Microelectronics	Viper20	85-265Vms	6W	70kHz
ST Microelectronics	Viper20	85-265Vms	3W	40kHz



SIZE E16-2 OUTPUT:5 or 12V & 3.3 or 5V-FLYBACK TRANSFORMER							
Part Number	Output Power max	Windings					
			Pins	Tums	Voltage	Current max	Inductance (+/-10%)
MCTE1603	5W	Pri	4-6	138	62-130(VOR)	0.27Apeak	3.9mH
		Aux	2-1	16	7-14Vdc	0.1Adc	
		S1	9-10	8	3.3-7Vdc	1.2Adc	
		S2	7-8	19	8-17Vdc	0.4Adc	
MCTE1604	6W	Pri	4-6	120	55-115(VOR)	0.3Apeak	3.0mH
		Aux	2-1	17	8-16Vdc	0.1Adc	
		S1	9-10	5	2-4Vdc	0.8Adc	
		S2	7-10	7	3-6Vdc	1.2Adc	

V. Dimension



I. Main Performance

- ❖ the operating frequency: 20kHz-500kHz
- ❖ Working temperature: -40 °C to + 125 °C
- ❖ Storage temperature: -25 °C to + 85 °C
- ❖ storage humidity: 30 to 95%
- ❖ Power range:0.5W~15W

II. the main features of

- ❖ Small size, low cost, high reliability.

III. the application

- ❖ Often used in auxiliary power transformer, DC-DC converter, drive transformers, digital cameras, hand-held switch power charger.

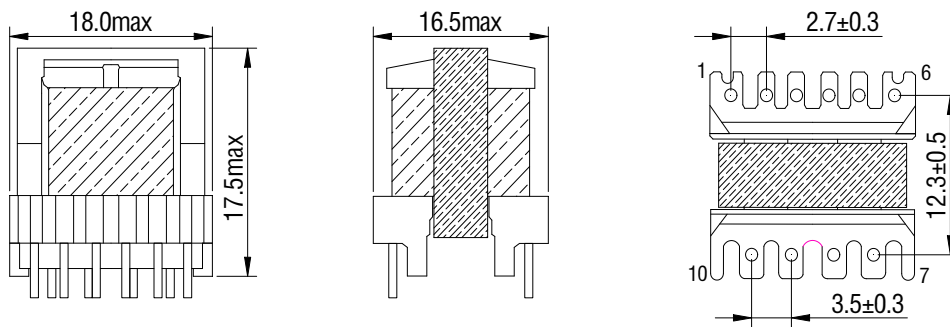
IV. Electrical Performance

MCTE1605			
Control IC P/N	Input voltage	Power	Frequency
TNY254	85-265Vms	1.5W	44kHz

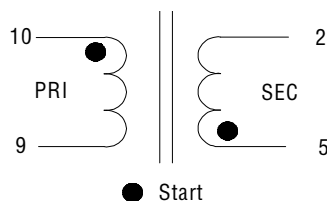
MCTE1606			
Control IC P/N	Input voltage	Power	Frequency
TNY254	85-265Vms	1.5W	44kHz

SIZE E16-SINGLE OUTPUT:5 or 12v TRANSFORMER FOR TINYSWITCH							
Part Number	Output Power max	Windings					
			Pins	Tums	Voltage	Current max	Inductance (+/-10%)
MCTE1605	1.5W	Pri	10-9	228	50-95(VOR)	0.28Apeak	6.0mH
		S1	5-2	16	3.3-6Vdc	0.4Adc	
MCTE1606	1.5W	Pri	10-9	228	65-130(VOR)	0.28Apeak	6.0mH
		S1	5-2	28	7.5-15Vdc	0.2Adc	

V. Dimension



VI. Electrical Diagram



Welcome customized transformer.

I. Main Performance

- ❖ the operating frequency: 20kHz-500kHz
- ❖ Working temperature: -40 °C to + 125 °C
- ❖ Storage temperature: -25 °C to + 85 °C
- ❖ storage humidity: 30 to 95%
- ❖ Power range:0.5W~15W

II. the main features of

- ❖ Small size, low cost, high reliability.

III. the application

- ❖ Often used in auxiliary power transformer, DC-DC converter, drive transformers, digital cameras, hand-held switch power charger.

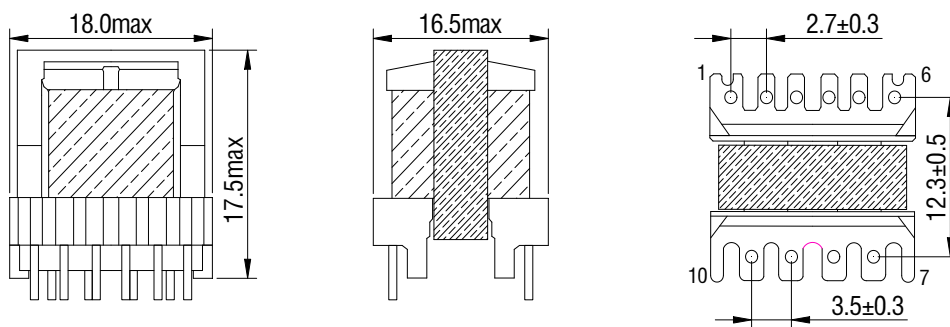
IV. Electrical Performance

MCTE1607			
Control IC P/N	Input voltage	Power	Frequency
TNY254	85-265Vms	3.1W	44kHz

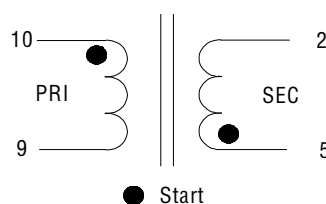
MCTE1608			
Control IC P/N	Input voltage	Power	Frequency
TNY254	85-265Vms	3.1W	44kHz

SIZE E16-SINGLE OUTPUT:5 or 12v TRANSFORMER FOR TINYSWITCH							
Part Number	Output Power max	Windings					
			Pins	Tums	Voltage	Current max	Inductance (+/-10%)
MCTE1607	3.1W	Pri	10-9	191	55-100(VOR)	0.34Apeak	4.2mH
		S1	5-2	13	3.3-6Vdc	0.9Adc	
MCTE1608	3.1W	Pri	10-9	191	65-125(VOR)	0.34Apeak	4.2mH
		S1	5-2	24	7.5-15Vdc	0.4Adc	

V. Dimension



VI. Electrical Diagram



Welcome customized transformer.

I. Main Performance

- ❖ the operating frequency: 20kHz-500kHz
- ❖ Working temperature: -40 °C to + 125 °C
- ❖ Storage temperature: -25 °C to + 85 °C
- ❖ storage humidity: 30 to 95%
- ❖ Power range:0.5W~15W

II. the main features of

- ❖ Small size, low cost, high reliability.

III. the application

- ❖ Often used in auxiliary power transformer, DC-DC converter, drive transformers, digital cameras, hand-held switch power charger.

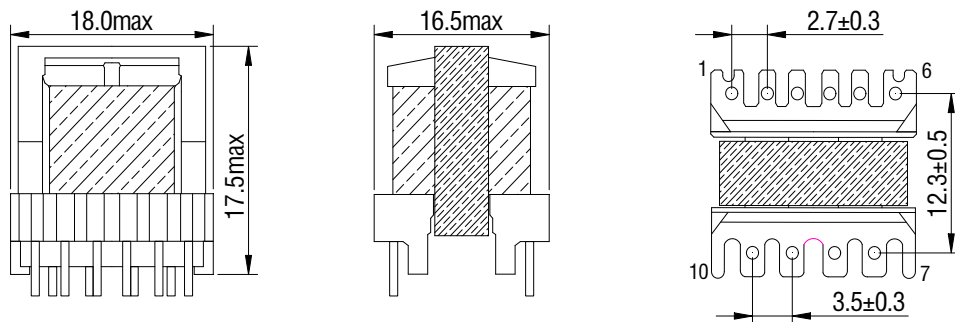
IV. Electrical Performance

MCTE1609			
Control IC P/N	Input voltage	Power	Frequency
TNY255	85-265Vms	4.2W	44kHz
TNY264	85-265Vms	5W	132kHz
TNY266	85-265Vms	9W	132kHz

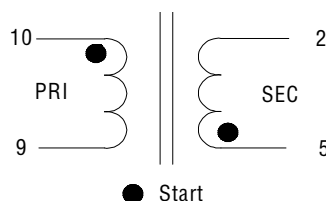
MCTE1610			
Control IC P/N	Input voltage	Power	Frequency
TNY255	85-265Vms	5W	44kHz
TNY264	85-265Vms	5W	132kHz
TNY266	85-265Vms	9W	132kHz

SIZE E16-SINGLE OUTPUT:5 or 12v TRANSFORMER FOR TINYSWITCH							
Part Number	Output Power max	Windings					
			Pins	Tums	Voltage	Current max	Inductance (+/-10%)
MCTE1609	9W	Pri	10-9	135	55-100(VOR)	0.48Apeak	2100uH
		S1	5-2	9	3.3-6Vdc	1.5Adc	
MCTE1610	9W	Pri	10-9	135	65-125(VOR)	0.48Apeak	2100uH
		S1	5-2	17	7.5-15Vdc	0.9Adc	

V. Dimension



VI. Electrical Diagram



Welcome customized transformer.

I. Main Performance

- ❖ the operating frequency: 20kHz–500kHz
- ❖ Working temperature: -40 °C to + 125 °C
- ❖ Storage temperature: -25 °C to + 85 °C
- ❖ storage humidity: 30 to 95%
- ❖ Power range:0.5W~15W

II. the main features of

- ❖ Small size, low cost, high reliability.

III. the application

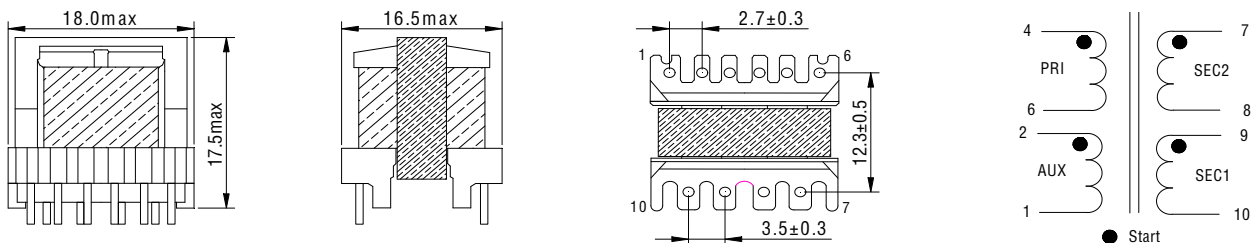
- ❖ Often used in auxiliary power transformer, DC-DC converter, drive transformers, digital cameras, hand-held switch power charger.

IV. Electrical Performance

Control IC P/N	Input voltage	Power	Frequency
KA5H0165RN	185-265vms	10w	100kHz
KA5L0165R	85-265vms	7w	50kHz
TDA16831	92-265vms	7.5w	100kHz
TDA16831	185-265vms	10w	100kHz
MC33369	85-265vms	8w	100kHz
MC33369	185-265vms	10w	100kHz
TNY267	185-265vms	12w	132kHz
TOP242P	85-265vms	10w	132kHz
TOP242P	185-265vms	12w	132kHz
TOP242P	85-265vms	10	132kHz
VIPer20	85-265vms	8w	70kHz
VIPer20	185-265vms	10w	70kHz

SIZE E16-2 OUTPUTS:5 & 12v -FLYBACK TRANSFORMER							
Part Number	Output Power max	Windings					
			Pins	Tums	Voltage	Current max	Inductance (+/-10%)
MCTE1611	12W	Pri	4-6	120	60-125(VOR)	0.55Apeak	1660uH
		Aux	2-1	14	7-14Vdc	0.1Adc	
		S1	9-10	7	3.3-7Vdc	2Adc	
		S2	7-8	17	8-17Vdc	1Adc	

V. Dimension



Welcome customized transformer.

I. Main Performance

- ❖ the operating frequency: 20kHz-500kHz
- ❖ Working temperature: -40 °C to + 125 °C
- ❖ Storage temperature: -25 °C to + 85 °C
- ❖ storage humidity: 30 to 95%
- ❖ Power range:0.5W~15W

II. the main features of

- ❖ Small size, low cost, high reliability.

III. the application

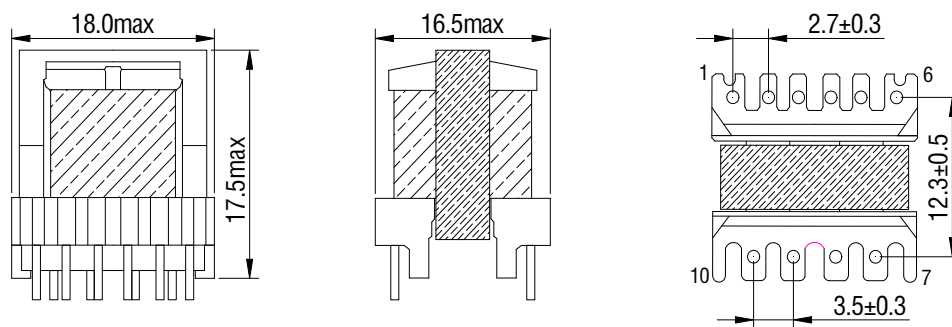
- ❖ Often used in auxiliary power transformer, DC-DC converter, drive transformers, digital cameras, hand-held switch power charger.

IV. Electrical Performance

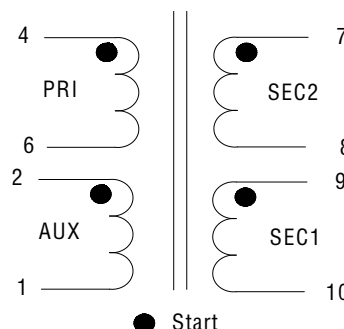
Control IC P/N	Input voltage	Power	Frequency
TNY266	185-265Vms	12W	132kHz
TNY266	85-265Vms	8W	132kHz
TNY242P	185-265Vms	12W	132kHz
TNY242P	85-265Vms	8W	132kHz

SIZE E16-2 OUTPUTS:5 & 12v -FLYBACK TRANSFORMER							
Part Number	Output Power max	Windings					
			Pins	Tums	Voltage	Current max	Inductance (+/-10%)
MCTE1612	12W	Pri	4-6	120	70-140(VOR)	0.5Apeak	1800uH
		Aux	2-1	14	9-18Vdc	0.2Adc	
		S1	9-10	27	15-30Vdc	0.4Adc	
		S2	7-8	27	15-30Vdc	0.4Adc	

V. Dimension



VI. Electrical Diagram



Welcome customized transformer.

I. Main Performance

- ❖ the operating frequency: 20kHz-500kHz
- ❖ Working temperature: -40 °C to + 125 °C
- ❖ Storage temperature: -25 °C to + 85 °C
- ❖ storage humidity: 30 to 95%
- ❖ Power range:0.5W~15W

II. the main features of

- ❖ Small size, low cost, high reliability.

III. the application

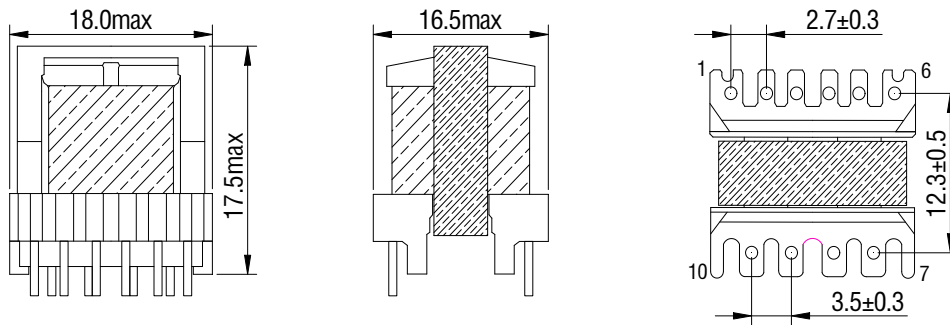
- ❖ Often used in auxiliary power transformer, DC-DC converter, drive transformers, digital cameras, hand-held switch power charger.

IV. Electrical Performance

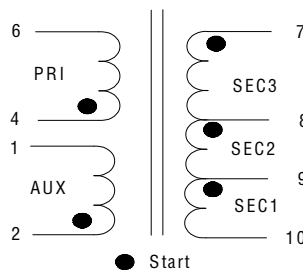
Control IC P/N	Input voltage	Power	Frequency
TNY266	185-265Vms	10W	132kHz
TNY266	85-265Vms	8W	132kHz
TOP242P	185-265Vms	12W	132kHz
TOP242P	85-265Vms	9W	132kHz

SIZE E16-2 OUTPUTS:5 & 12v -FLYBACK TRANSFORMER							
Part Number	Output Power max	Windings					
			Pins	Tums	Voltage	Current max	Inductance (+/-10%)
MCTE1613	12W	Pri	4-6	120	110(VOR)	0.5Apeak	1800uH
		Aux	2-1	14	12Vdc	0.2Adc	
		S1	9-10	6	5Vdc	1.5Adc	
		S2	8-10	17	15Vdc	0.6Adc	
		S3	7-10	27	24Vdc	0.4Adc	

V. Dimension



VI. Electrical Diagram



Welcome customized transformer.