

I. Main Performance

- ❖ the operating frequency: 20kHz~500kHz
- ❖ Working temperature: -40 °C to + 125 °C
- ❖ Storage temperature: -25 °C to + 85 °C
- ❖ storage humidity: 30 to 95%
- ❖ Power range:0.5W~24W

II. the main features of

- ❖ Small size, low cost, high reliability.

III. the application

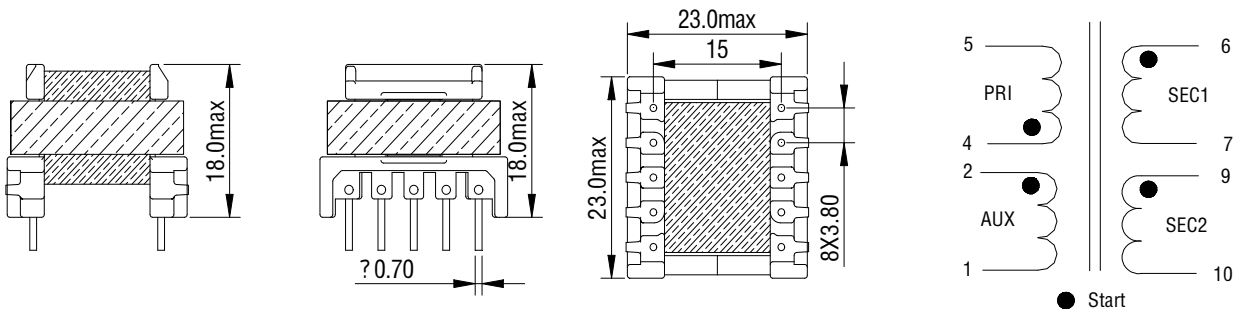
- ❖ Often used in auxiliary power transformer, DC-DC converter, drive transformers, digital cameras, hand-held switch power charger.

IV. Electrical Performance

Part No	Control IC P/N	Input voltage	Power	Frequency
MCTEF2001	TOP234P	185-265Vms	24W	132kHz
	TOP234P	85-265Vms	15W	132kHz
MCTEF2002	TNY268	185-265Vms	17W	132kHz
	TOP234P	185-265Vms	20W	132kHz
	TOP234P	85-265Vms	14W	132kHz

SIZE EF20- 2 OUTPUTS:5/5V OR 12/12v -FLYBACK TRANSFORMER							
Part Number	Output Power max	Windings					
			Pins	Tums	Voltage	Current max	Inductance (+/-10%)
MCTEF2001	24W	Pri	4-5	86	80-135(VOR)	1.0A PEAK	1.0mH
		Aux	2-1	12	11-8VDC	0.3ADC	
		S1	6-7	10	9-15VDC	1.5ADC	
		S2	9-10	10	9-15VDC	1.5ADC	
MCTEF2002	20W	Pri	4-5	86	30-135(VOR)	0.9A PEAK	1.3mH
		Aux	2-1	12	7-18VDC	0.3ADC	
		S1	6-7	5	3-7.5VDC	2.0ADC	
		S2	9-10	5	3-7.5VDC	2.0ADC	

V. Dimension



Welcome customized transformer.

I. Main Performance

- ❖ the operating frequency: 20kHz~500kHz
- ❖ Working temperature: -40 °C to + 125 °C
- ❖ Storage temperature: -25 °C to + 85 °C
- ❖ storage humidity: 30 to 95%
- ❖ Power range:0.5W~24W

II. the main features of

- ❖ Small size, low cost, high reliability.

III. the application

- ❖ Often used in auxiliary power transformer, DC-DC converter, drive transformers, digital cameras, hand-held switch power charger.

IV. Electrical Performance

Part No	Control IC P/N	Input voltage	Power	Frequency
MCTEF2003	TOP234P	185-265Vms	20W	132kHz
	TOP234P	85-265Vms	12W	132kHz

SIZE E25-3or 1OUTPUTS:5+ 12/12v or 24v -FLYBACK TRANSFORMER							
Part Number	Output Power max	Windings					
			Pins	Tums	Voltage	Current max	Inductance (+/-10%)
MCTEF2003	20W	Pri	4-5	80	75(VOR)	0.9A peak	1.1mH
		Aux	2-1	17	15Vdc	0.3Adc	
		S1	7-8	4	3.3Vdc	3Adc	
		S2	6-8	6	5Vdc	S1+S2	
		S3	9-10	14	12Vdc	1.3Adc	

V. Dimension

