

I. Main Performance

- ❖ the operating frequency: 20kHz–500kHz
- ❖ Working temperature: -40 °C to + 125 °C
- ❖ Storage temperature: -25 °C to + 85 °C
- ❖ storage humidity: 30 to 95%
- ❖ Power range:5W~35W

II. the main features of

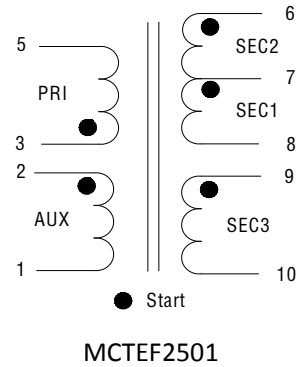
- ❖ Small size, low cost, high reliability.

III. the application

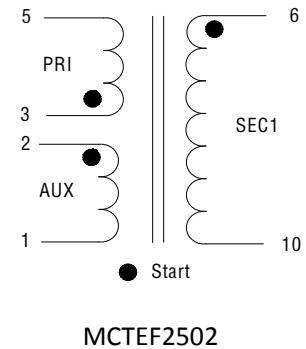
- ❖ Often used in auxiliary power transformer, DC-DC converter, drive transformers, digital cameras, hand-held switch power charger.

IV. Electrical Performance

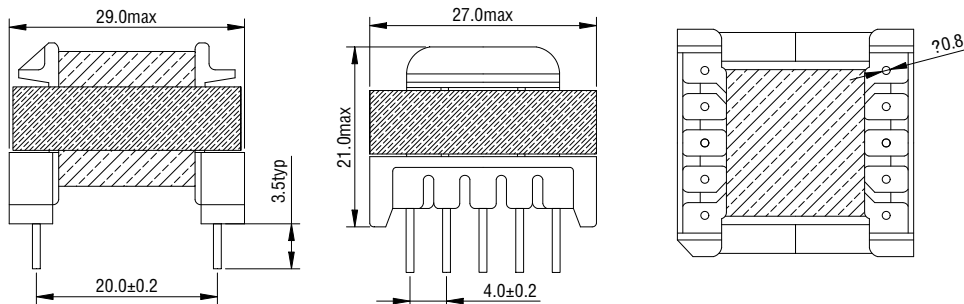
| Part No | Control IC P/N | Input voltage | Power | Frequency |
|-----------|----------------|---------------|-------|--------------|
| MCTEF2501 | KA1H0265R | 85-265Vms | 22W | 100kHz |
| | TDA16832 | 185-265Vms | 30W | 100kHz |
| | MC33371 | 85-265Vms | 22W | 100kHz |
| | MC33371 | 185-265Vms | 30W | 100kHz |
| | TOP244P | 185-265Vms | 30W | 132kHz |
| | TOP244Y | 85-265Vms | 25W | 66 or 132kHz |
| | VIPer50 | 85-265Vms | 22W | 70kHz |
| | VIPer50 | 185-265Vms | 30W | 70kHz |
| MCTEF2502 | TOP244P | 185-265Vms | 25W | 132kHz |



| SIZE E25-3or 10OUTPUTS:5+ 12/12v or 24v -FLYBACK TRANSFORMER | | | | | | | |
|--|------------------|----------|------|------|-------------|-------------|---------------------|
| Part Number | Output Power max | Windings | | | | | |
| | | | Pins | Tums | Voltage | Current max | Inductance (+/-10%) |
| MCTEF2501 | 30W | Pri | 3-5 | 70 | 65-130(VOR) | 1.5Apeak | 750uH |
| | | Aux | 2-1 | 8 | 7-14.5Vdc | 1A dc | |
| | | S1 | 7-8 | 4 | 3.3-7Vdc | 3A dc | |
| | | S2 | 6-8 | 9 | 8-16Vdc | 1.5A dc | |
| | | S3 | 9-10 | 9 | 8-16Vdc | 1.5A dc | |
| MCTEF2502 | 35W | Pri | 3-5 | 72 | 65-125(VOR) | 1.1Apeak | 1100uH |
| | | Aux | 2-1 | 10 | 8-16Vdc | 1A dc | |
| | | S1 | 6-10 | 18 | 15-30Vdc | 1.4A dc | |



V. Dimension



Welcome customized transformer.