

I. Main Performance

- ❖ the operating frequency: 40kHz-500kHz
- ❖ Working temperature: -40 °C to + 125 °C
- ❖ Storage temperature: -25 °C to + 85 °C
- ❖ storage humidity: 30 to 95%
- ❖ Power range:15W~90W

II. the main features of

- ❖ Small size, low cost, high reliability.

III. the application

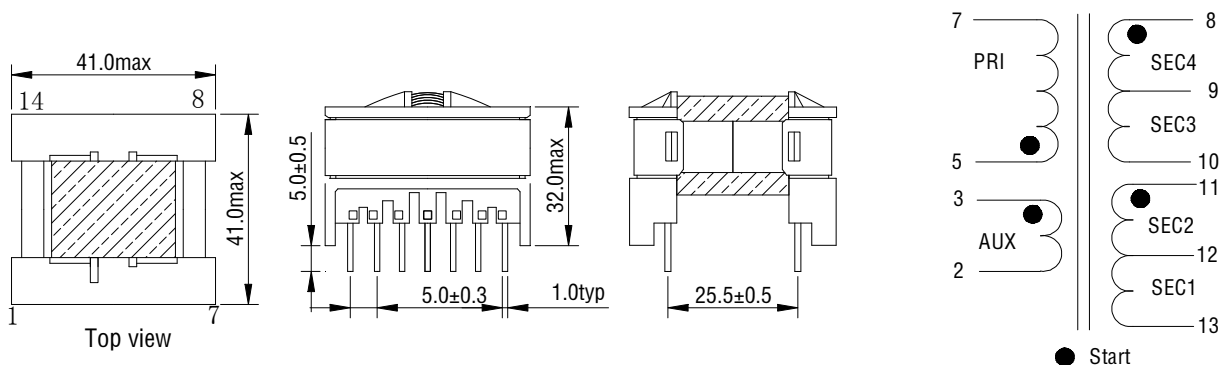
- ❖ Often used in auxiliary power transformer, DC-DC converter, drive transformers, digital cameras, hand-held switch power charger.

IV. Electrical Performance

Control IC P/N	Input voltage	Power	Frequency
TDA16834	185-265Vms	80W	100kHz
TDA16836	85-265Vms	60W	100kHz
MC33373	185-265Vms	80W	100kHz
MC33373	85-265Vms	60W	100kHz
TOP246Y	185-265Vms	90W	132kHz
TOP246Y	85-265Vms	60W	66/132kHz
VIPer100A	185-265Vms	80W	70kHz
VIPer100A	85-265Vms	60W	70kHz

SIZE ETD34-4 OUTPUTS:5+ 12/ 12v -FLYBACK TRANSFORMER							
Part Number	Output Power max	Windings					
			Pins	Tums	Voltage	Current max	Inductance (+/-10%)
MCTETD3401	90W	Pri	5-7	36	65-125(VOR)	2.8Apeak	500uH
		Aux	3-2	4	7-14Vdc	0.5Adc	
		S1	12-13	2	3.3-6.5	5Adc	
		S2	11-13	5	8.5-17Vdc	3Adc	
		S3	9-10	2	3.3-6.5	5Adc	
		S4	8-10	5	8.5-17Vdc	3Adc	

V. Dimension



Welcome customized transformer.