

I. Main Performance

- ❖ the operating frequency: 50kHz-500kHz
- ❖ Working temperature: -40 °C to + 125 °C
- ❖ Storage temperature: -25 °C to + 85 °C
- ❖ storage humidity: 30 to 95%
- ❖ Power range:20W~800W

II. the main features of

- ❖ Small size, low cost, high reliability.

III. the application

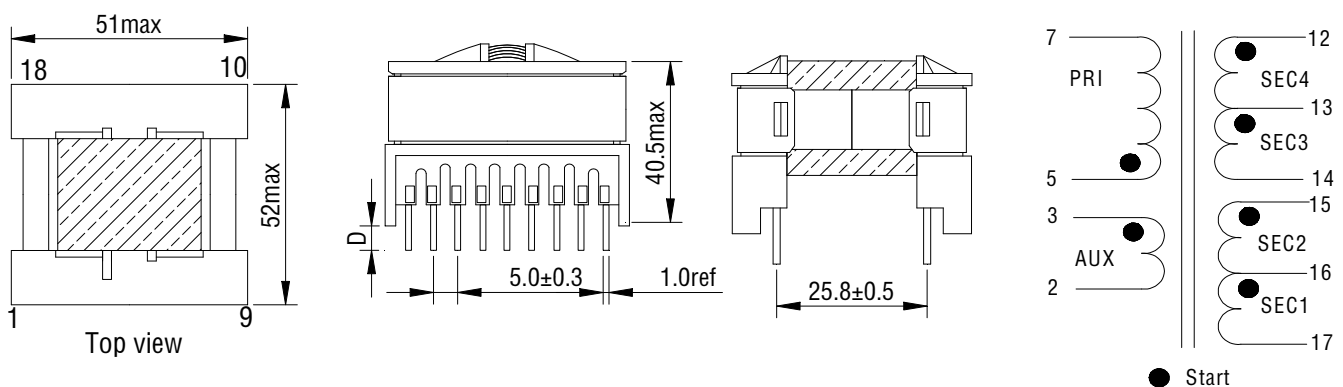
- ❖ Often used in auxiliary power transformer, DC-DC converter, drive transformers, digital cameras, hand-held switch power charger.

IV. Electrical Performance

Control IC P/N	Input voltage	Power	Frequency
KA2S0965	185-265Vms	160W	100kHz
TDA16837	185-265Vms	160W	100kHz
TEA1566	185-265Vms	120W	50kHz
TOP248Y	185-265Vms	180W	66or132kHz
TOP249Y	85-265Vms	120W	66kHz

SIZE ETD44-4 OUTPUTS:5+ 12/5+ 12v -FLYBACK TRANSFORMER							
Part Number	Output Power max	Windings					
			Pins	Tums	Voltage	Current max	Inductance (+/-10%)
MCTETD4401	180W	Pri	5-7	38	65-125(VOR)	8Apeak	300uH
		Aux	3-2	4	7-14Vdc	0.5Adc	
		S1	16-17	2	3.3-6.5	6Adc	
		S2	15-17	5	8.5-17Vdc	5Adc	
		S3	13-14	2	3.3-6.5	6Adc	
		S4	12-14	5	8.5-17Vdc	5Adc	

V. Dimension



Unit:mm

Welcome customized transformer.