

**FEATURES:**

- Wireless Charging Receiver single Coil (10.5μH)
- Outline Dimensions: 18.0mm x 1.0mm
- For Rx applications
- High permeability shielding to protect sensitive electronics
- Durable construction
- RoHS Compliant & Pb free.

**APPLICATIONS:**

- Batteries and Battery Chargers
- Consumer Electronics
- Smart Watches
- Digital Cameras and Camcorders
- Wireless Charging Stations
- Mobile Phones & Charging Accessories
- Power Supplies
- Power Tool Manufacturers

**DESCRIPTION & KEY ELECTRICAL SPECIFICATIONS**

The MCTC18 is a Wireless Charging Coils that can be used in receive applications. This is a single coil design with inductance of 12μH.

**Maximum Ratings**

Part Number	Inductance	DC Resistance	Q	Operating Temperature Range
MCTC18	10.5μH ±10%	330 mΩ max	17.2±30%	T=-25°C ~ 85°C, RH≤ 90%.
Test Condition	100KHz / 1V	20±10°C	100KHz/1V	Storage Temperature Range
Test Environment	Temperature: 20±10°C, RH: 65% ±20% Equipment:LCZ 1062			-25°C~85°C, 90%RH (Max.)

**Test Conditions**

Ambient Temperature: 20±10°C, RH: 65% ±20%.

If any doubt on the results, measurements/tests should be made within the following limits:

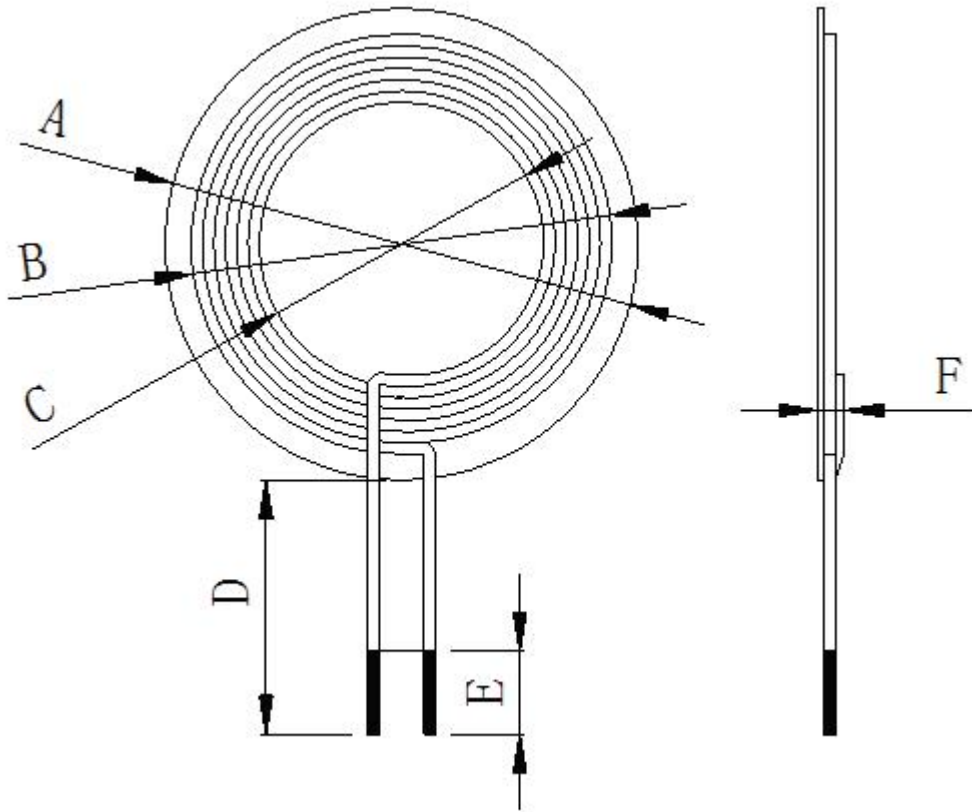
Ambient Temperature: 20±2°C, RH: 65%±5%

**STORAGE AND OPERATIONAL CONDITION:**
**Storage condition**

- ❖ Recommended storage conditions: -25°C~85°C, 70%RH (Max.)
- ❖ Service life: Within the limits of six month from being produced.
- ❖ The appearance and solder ability should be check, if product is not in expiry date.

**Operation Conditions**

Use condition limit: T=-25°C ~ 85°C,RH≤ 90%.

**DIMENSIONS:**


Item	A	B	C	D	E	F
Spec	18.3±0.5	16.5±0.5	11±0.5	15±2	5±1	1.0 REF

**WINDING DETAIL:**

No.	Wire	Number of turns	Inductance
1	Φ0.25mm	18REF	10.5±10%uH

- ❖ Wave Soldering Profile: Not suitable for wave soldering
- ❖ Manual Soldering: 350°C Max, 3secs
- ❖ Packaging: Box, 100pcs MOQ