

## FEATURES:

- Wireless Charging Receiver single Coil (11.1μH)
- Outline Dimensions: 48.5mm x 32.5mm x 1.2mm
- For Rx applications
- High permeability shielding to protect sensitive electronics
- Durable construction
- RoHS Compliant & Pb free.

## APPLICATIONS:

- Batteries and Battery Chargers
- Consumer Electronics
- Smart Watches
- Digital Cameras and Camcorders
- Wireless Charging Stations
- Mobile Phones & Charging Accessories
- Power Supplies
- Power Tool Manufacturers

## Maximum Ratings

Item	Value
Operating Temperature Range	T=-25° C ~ 85° C, RH≤ 90%.
Storage Temperature Range	-25° C~85° C,70%RH (Max.)

## Electrical Characteristics

Part Number	Inductance	DC Resistance	Q	Saturated Current (rms)	Current Rating(rms)	SRF
MCTC48	10.5μH ±10%	190mΩ±20%	28±30%	15A	2.6A Typ.	11MHz
Test Condition	100KHz / 1V	20±15° C	100KHz/1V	100KHz/1V	ΔT = 40 K	
Test Environment	Ambient Temperature: 20±15° C, RH:65%±20%.					

## Test Conditions

Ambient Temperature: 20±15° C, RH: 65% ±20%.

If any doubt on the results, measurements/tests should be made within the following limits:

Ambient Temperature: 20±2° C, RH: 65%±5%

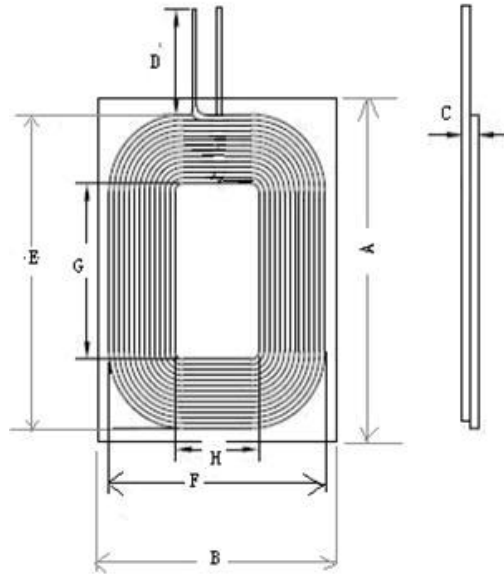
## STORAGE AND OPERATIONAL CONDITION:

### Storage condition

- ❖ Recommended storage conditions: -25° C~85° C, 70%RH (Max.)
- ❖ Service life: Within the limits of six month from being produced.
- ❖ The appearance and solder ability should be check, if product is not in expiry date.

### Operation Conditions

Use condition limit: T=-25° C ~ 85° C, RH≤ 90%.

**DIMENSIONS:**


Item	A	B	C	D	E	F	G	H
Spec	48.5 Max	32.5 Max	1.2Max	50.0	41.4	31.0	22.2	11.5

**WINDING DETAIL:**

No.	Wire	Number of turns	Inductance
1	$\phi$ 0.3×2	15	10.5 $\mu$ H±10%

- ❖ Wave Soldering Profile: Not suitable for wave soldering
- ❖ Manual Soldering: 350°C Max, 3secs
- ❖ Packaging: Box, 100pcs MOQ