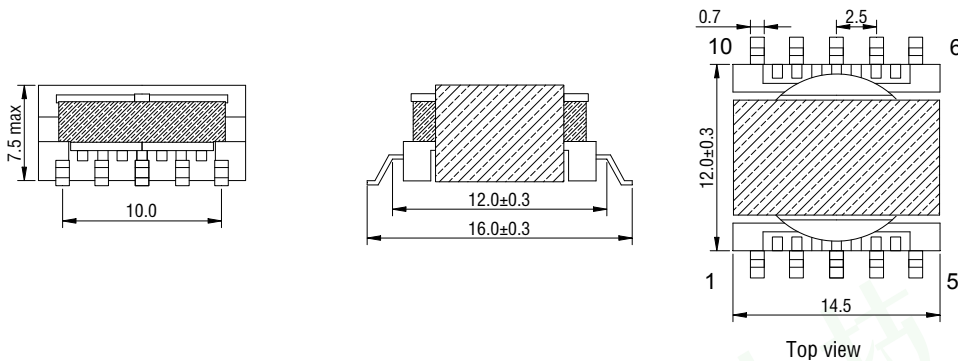


Size ER14.5

**Drawing with schematic:**


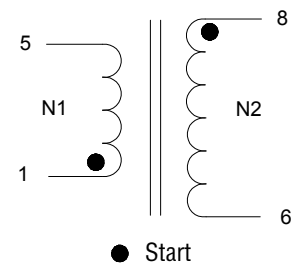
- Drawing is not to scale
- SMD-Terminals-Coplanarity ≤ 100µm

**Electrical Data and Part Number(PN):**

L1 in uH	L1 in mA	L <sub>sat</sub> in mA	RDC/mΩ	PIN
21.5	950	350	160	MCT-ERB-A10
11.5	950	820	160	MCT-ERB-A11
8.1	950	1150	160	MCT-ERB-A12
6.5	950	1500	160	MCT-ERB-A13

**General Technical Details:**

- Transformer with multi-winding
- Insulation test voltage is 1500V
- Low leakage inductance
- Operating temperature -40° C~+125° C
- Different circuit will use many possibilities for quick prototyping.


**Applications:**

- Flyback converters
- Forward converters
- Push-pull converters
- Step-Up/Step-down converters
- Sepic converters(single ended primary inductor converter)

**Dimension:**

- Bobbin: ±0.5mm
- Terminal(SMD): ±0.1mm
- Grid size: ±0.3mm

Welcome customized.