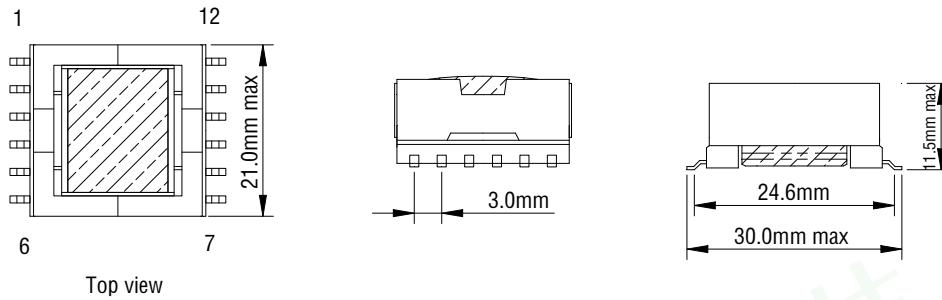
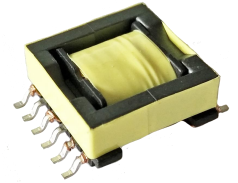


Size EFD20

Drawing with schematic:



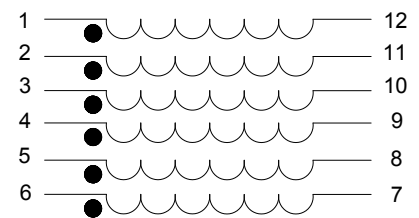
- Drawing is not to scale
- SMD-Terminals-Coplanarity $\leq 100\mu\text{m}$

Electrical Data and Part Number(PN):

L1..L6 in uH	L1..L6 in mA	Lsat in mA	DCR/mΩ	MCT PN
10.0	1800	1200	30	MCT-CBB-B10
5.5	1800	2500	30	MCT-CBB-B05
4.5	1800	2900	30	MCT-CBB-B04
3.5	1800	4200	30	MCT-CBB-B03

General Technical Details:

- Transformer with 6 winding
- Insulation test voltage is 500V
- Low leakage inductance
- Operating temperature $-40^{\circ}\text{C} \sim +125^{\circ}\text{C}$
- Different circuit will use many possibilities for quick prototyping.



Applications:

- Flyback converters
- Forward converters
- Push-pull converters
- Step-Up/Step-down converters
- Sepic converters(single ended primary inductor converter)

Dimension:

- Bobbin: $\pm 0.5\text{mm}$
- Terminal(SMD): $\pm 0.1\text{mm}$
- Grid size: $\pm 0.3\text{mm}$

Welcome customized.