

Power in the Round 30 VA to 2000 VA

The MCTT series of transformers offer power ranges from 30 VA to 2000 VA inclusive. These standard transformer products share common lead lengths, colors, mounting configurations and more, The STP series are designed to comply with international safety standards

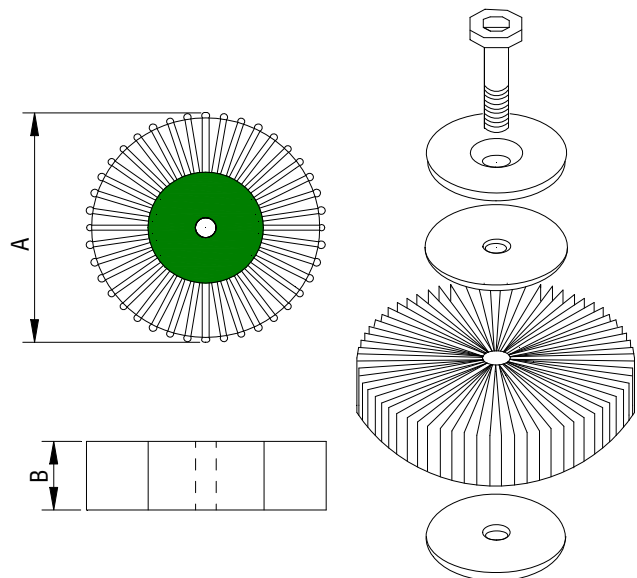
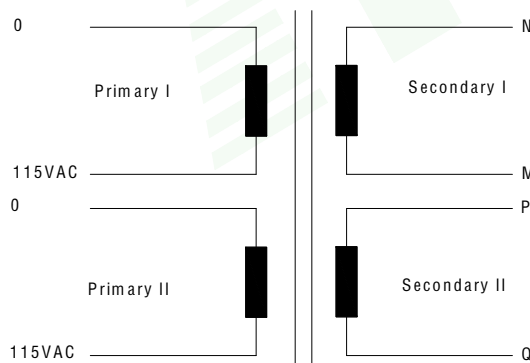
I. Benefits

- Minimal core losses
- Low profile
- Power/mass efficient
- Reduced EMI
- Low dB
- RoHS compliant

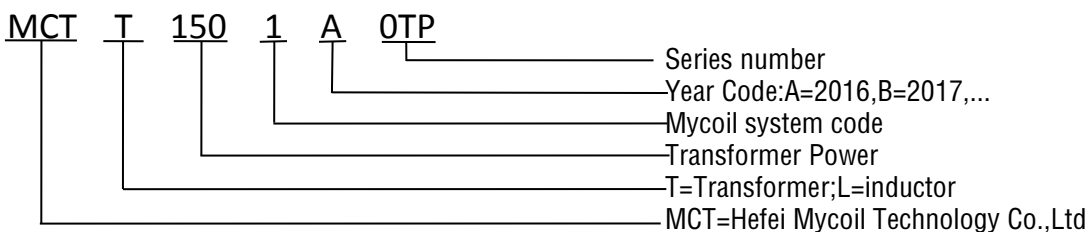
II. General Specifications

- Power - 100 VA to 2000 VA
- Dual Primaries - 2 x 115 V - 50/400 Hz
- Dual Secondaries - Standard outputs 2 x 115V with multiple output configurations available
- Connections: 12.0" color-coded stranded leads
- Supplied with mounting hardware set; screw, nut, top plate and 2 rubber pads.
- Insulation System - Class B, 130° C
- Component certifications for North American and IEC/EN standards available on request
- Custom designs available on request

III. Electrical diagram



III. Name Rule



IV. Electrical data table

Part Number	Power Range VA	Dimensions ² Inches (mm)		Weight lbs (kg)	Recommended Fastener Size
		A	B		
MCTT050XAXXX	50	3.5 (88)	1.5 (38)	1.86 (0.84)	#8
MCTT100XAXXX	100	4.2 (105)	1.4 (35)	2.86 (1.3)	#8
MCTT150XAXXX	150	4.6 (116)	1.7 (42)	4.40 (2.0)	#10
MCTT200XAXXX	200	4.8 (120)	1.9 (48)	5.30 (2.4)	1/4"
MCTT250XAXXX	250	5.0 (127)	2.0 (50)	6.40 (2.9)	1/4"
MCTT300XAXXX	300	5.1 (128)	2.2 (55)	7.0 (3.2)	1/4"
MCTT400XAXXX	400	5.3 (133)	2.8 (70)	10.3 (4.7)	5/16"
MCTT500XAXXX	500	5.6 (140)	2.9 (72)	12.1 (5.5)	3/8"
MCTT600XAXXX	600	6.1 (155)	2.9 (72)	14.8 (6.7)	3/8"
MCTT800XAXXX	800	6.7 (170)	2.9 (72)	18.0 (8.2)	3/8"
MCTT103XAXXX	1000	7.1 (180)	3.1 (78)	22.1 (10.0)	3/8"
MCTT123XAXXX	1200	7.8 (198)	3.2 (80)	29.5 (13.4)	3/8"
MCTT163XAXXX	1600	8.3 (210)	3.4 (86)	35.3 (16.0)	1/2"
MCTT203XAXXX	2000	9.2 (232)	3.6 (90)	44.1 (20.0)	1/2"

V. Structure Analysis

