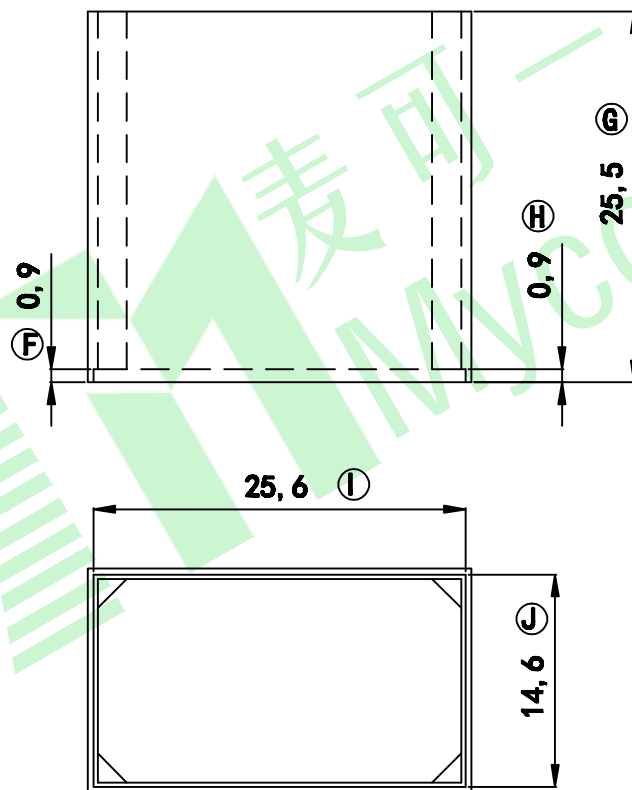


4-C1.5



材料：要求可耐高温260度不变形。

颜色：黑色

要求：产品不变形，不缩水，进胶口尽量放在产品的角落，烘烤温度150度/2H。

MODEL	CASE-25		UNIT:	mm		
MATERIAL	PM9820 BLACK		SCALE:	1:1		
DRAWN BY	Una Chen	2014.3.18	UL REC:	94V-0	Hefei Mycoil Technology Co.,LTD	
CHECK BY	Jason Hu	2014.3.18	TOLERANCE			
ISSED BY	James Hu	2014.5.16	0 < L ≤ 6: ±0.1	PIN PITCH: ±0.2	WEB www.mycoiltech.com TEL (+86) 551 6619 6829 EMAIL sales@mycoiltech.com	
			6 < L ≤ 20: ±0.2	THICKNESS: ±0.15		
			20 < L ≤ 50: ±0.3	ANGLE: ±1°		
			50 < L: ±0.4	PIN DIA: ±0.05		