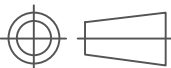



MODEL	BASE-55(4P)		UNIT:	mm			
MATERIAL	PHENOLIC		SCALE:	1:1			
DRAWN BY	Una Chen	2014.3.18	UL REC:	94V-0	Hefei Mycoil Technology Co.,LTD		
CHECK BY	Jason Hu	2014.3.18	TOLERANCE 0 < L ≤ 6: ±0.1 6 < L ≤ 20: ±0.2 20 < L ≤ 50: ±0.3 50 < L: ±0.4		PIN PITCH: ±0.2	WEB	www.mycoiltech.com
					THICKNESS: ±0.15	TEL	(+86) 551 6619 6829
ISSED BY	James Hu	2014.5.16			ANGLE: ±1°	EMAIL	sales@mycoiltech.com
					PIN DIA: ±0.05		