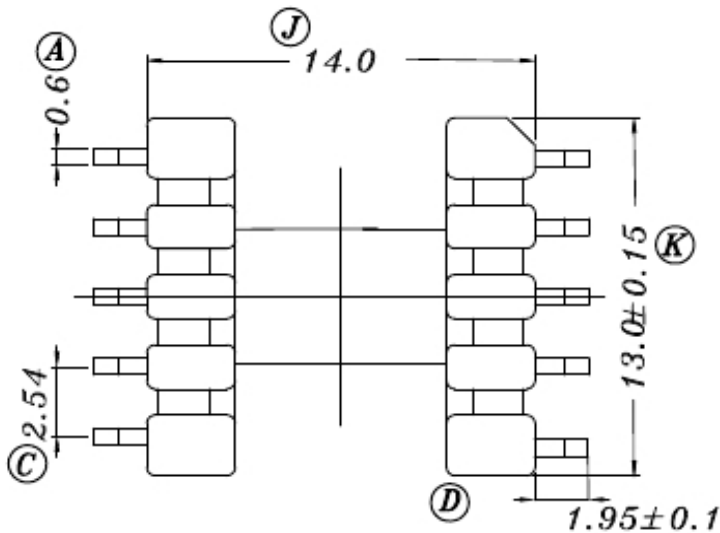
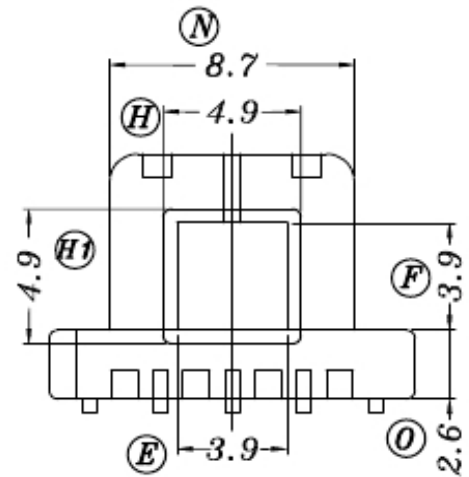
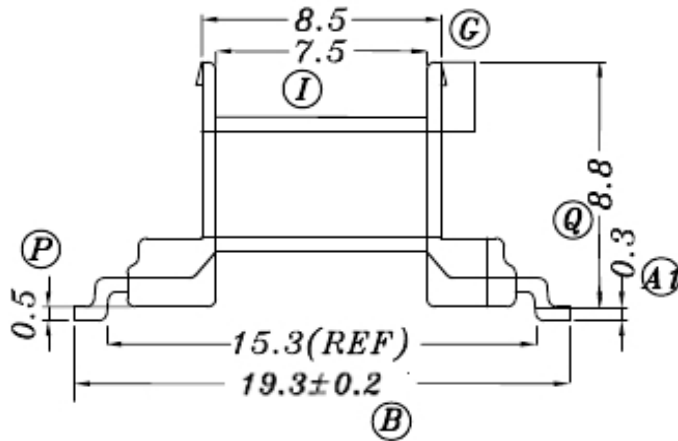
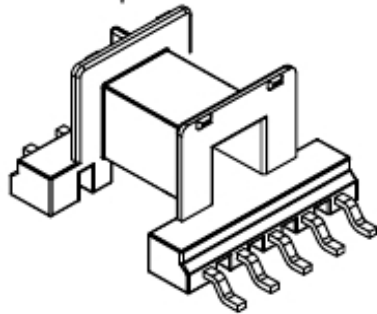


PN : MCT-C069



MODEL	EF12.6 (5+5P)		UNIT:	mm			
MATERIAL	PHENOLIC		SCALE:	1:1			
DRAWN BY	Una Chen	2016.3.18	UL REC:	94V-0	Hefei Mycoil Technology Co.,LTD		
			TOLERANCE				
CHECK BY	Jason Hu	2016.3.18	PIN MATERIAL	C5191	PIN PITCH:±0.2 THICKNESS: ±0.15 ANGLE: ±1° PIN DIA: ±0.05	WEB	www.mycoiltech.com
ISSED BY	James Hu	2016.5.16	0 < L ≤ 5: ±0.10 5 < L ≤ 20: ±0.15			TEL	(+86) 551 6619 6829
						EMAIL	sales@mycoiltech.com